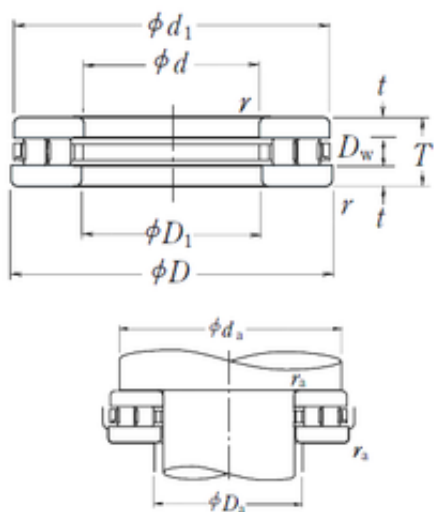




GGB BEARING CO., LTD.



NSK 260TMP11 CYLINDRICAL ROLLER THRUST BEARINGS

Bearing No. 260TMP11

| | |
|----------------|---------------|
| Size | 260x320x45 mm |
| Bore Diameter | 260 mm |
| Outer Diameter | 320 mm |
| Width | 45 mm |
| d | 260 mm |
| D | 320 mm |
| hidYobi | 260TMP11 |
| LangID | 1 |
| D_ | 320 |
| C | 460 |
| B_ | 45 |
| hidTable | ecat_NSCRT |
| Oil rpm | 1200 |
| mass | 7.75 |
| d1 | 317 |
| GRS rpm | 400 |
| ra | 1.5 |
| D_a | 272 |
| C0 | 2350 |
| D_1 | 263 |
| Prod_Type3 | TB_TCRB_A |
| da | 308 |
| DA_ | 18 |
| Z_ | 37 |
| Dw | 18 |
| | |

260TMP11 Bearing 2D drawings and 3D CAD models



GGB BEARING CO., LTD.

| | |
|------|----------|
| yobi | 260TMP11 |
| RAC | 115 |
| t | 13.5 |
| r | 1.5 |
| T_ | 45 |
| KBRG | 4614 |